

Product Specification



HYBRID COUPLERS

- **Broadband - Covers 600 MHz to 2700 MHz**
- **Low Insertion Loss**
- **Low PIM Device, -155 dBc**
- **2x2, 3x3 and 4x4 Hybrids**
- **IBWave Supported**

Electrical Specifications

| | |
|-------------------|--------------------|
| FREQUENCY RANGE | 600 - 2700 MHz |
| POWER RATING | 100W Avg. Per Port |
| PASSIVE INTERMODS | -155 dBc Min. |
| DC CONTINUITY | Thru Lines |

| ClearComm Model Number | Description | Insertion Loss Per Channel | Isolation | Return Loss |
|------------------------|--------------|----------------------------|------------|-------------|
| CCHC-101 | 2 x 2 Hybrid | 3.5 dB Nom. | 30 dB Min | 25 dB Min |
| CCHC-102 | 3 x 3 Hybrid | 4.8 dB Nom. | 25 dB Min. | 20 dB Min |
| CCHC-103 | 4 x 4 Hybrid | 6.2 dB Nom. | 23 dB Min. | 20 dB Min |

Environmental Specifications

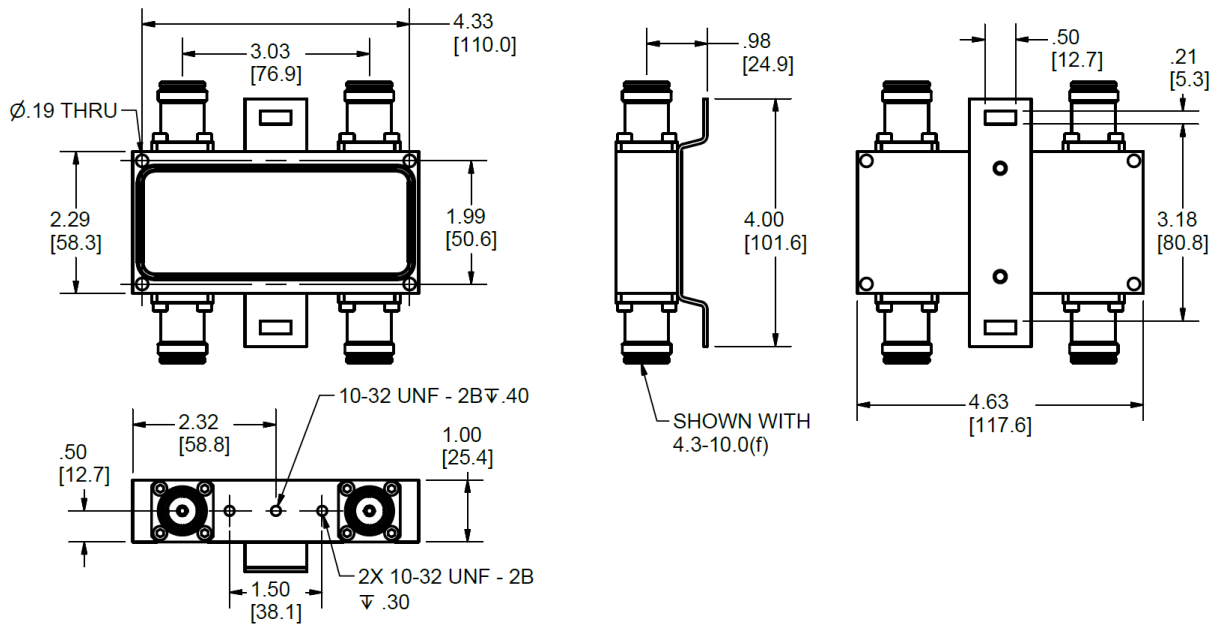
| | |
|-------------------|------------------------|
| TEMPERATURE RANGE | -20 to +65°C Operating |
| WEATHERIZATION | IP-67 |

Mechanical Specifications

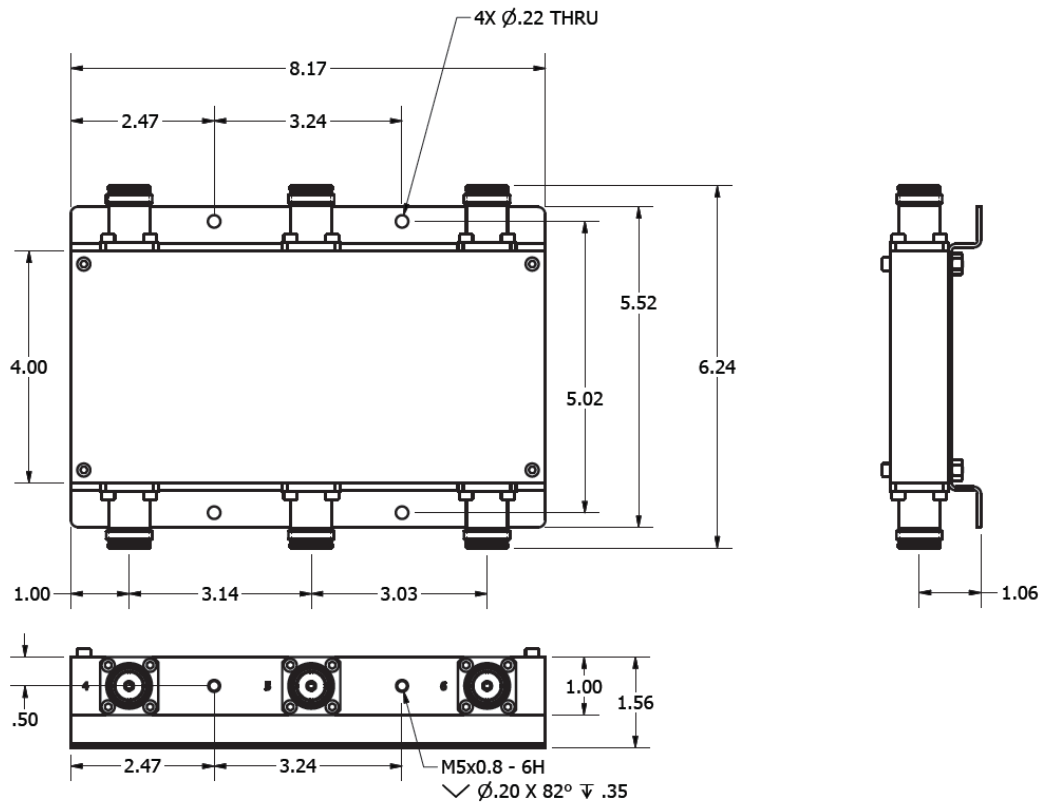
| | |
|------------|--|
| CONNECTORS | 4.3/10.0, Nex10, 7/16 DIN, Type 'N' |
| DIMENSIONS | See Outlines |
| WEIGHT | CCHC-101 Series, 1.4 lbs CCHC-102 Series, 4.2 lbs CCHC-103 Series, 5.2 lbs |

Rev: 020921

Product Specification



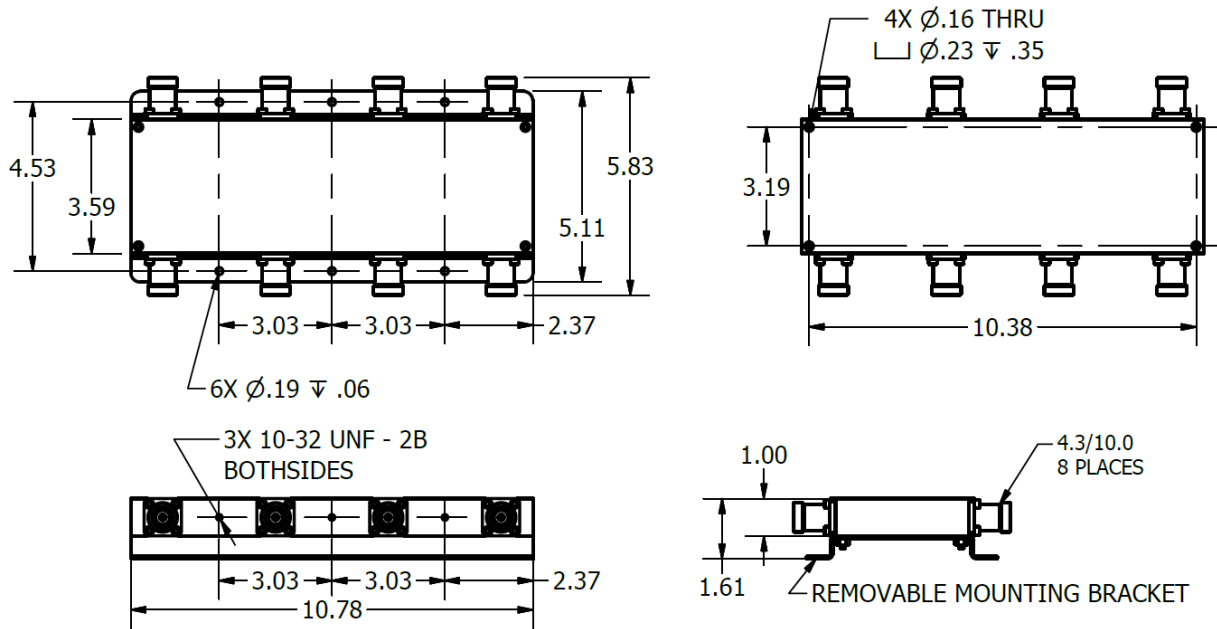
CCHC-101 (Shown with 4.3/10.0 Connectors)



CCHC-102 (Shown with 4.3/10.0 Connectors)

Rev: 020921

Product Specification



CCHC-103 (Shown with 4.3/10.0 Connectors)

Rev: 020921