

Product Specifications



UNEQUAL DIVIDERS

- **Wideband - Covers 350 to 5850 MHz**
- **Low Insertion Loss**
- **Low PIM Device, -160 dBc**
- **Splits from 3dB to 30 dB**
- **IBWave Supported**

Electrical Specifications

FREQUENCY RANGE	350 - 5850 MHz
DISSIPATIVE LOSS (MAIN LINE)	0.17 dB Max.
RETURN LOSS	20 dB Min 698 – 2700 MHz 15 dB Min 350 – 5850 MHz
POWER RATING	300W Avg. 3kW Peak Any Port
PASSIVE INTERMODS	-160 dBc
DC CONTINUITY	Ports J1 - J3

ClearComm Model Number	Coupling J1-J2	Split Ratio J3-J2	Coupling J3-J2/J1-J2	Nominal Coupling	Guaranteed Coupling		Nominal Coupling	
				380-520	698-960	1710-2700	3500-4500	4900-5850
CCUD-101	5 dB	2:1/3.0 dB	1.8/4.8 dB	4.4 dB	5.0±0.5 dB	4.9±0.6 dB	4.0 dB	5.0 dB
CCUD-102	6 dB	3:1 / 4.8 dB	1.3/6.0 dB	6.5 dB	6.4±0.4 dB	6.4±0.7 dB	6.0 dB	5.4 dB
CCUD-103	7 dB	4:1/6 dB	1.0/7.0 dB	7.4 dB	7.2±0.3 dB	7.2±0.7 dB	6.7 dB	6.5 dB
CCUD-104	8 dB	5.3:1/7.25 dB	0.8/8.0 dB	8 dB	8.3±0.4 dB	7.7±0.5 dB	7.4 dB	8.5 dB
CCUD-105	9 dB	7.0:1/8.5 dB	0.6/9.0 dB	9 dB	9.0± 0.3 dB	9.3± 0.6 dB	8.2 dB	9.6 dB
CCUD-106	10 dB	9.0:1/9.5 dB	0.5/10 dB	10.1 dB	10.1±0.4 dB	10.4±0.8 dB	9.0 dB	11.1 dB
CCUD-107	13 dB	19:1/13 dB	0.2/13 dB	13 dB	13±0.3 dB	13.3±0.6 dB	12.5 dB	13.3 dB
CCUD-108	15 dB	30:1/15 dB	0.2/15 dB	14.8 dB	14.9±0.3 dB	15.5±0.9 dB	13.7 dB	16.2 dB
CCUD-109	20 dB	100:1/20 dB	0.1/20 dB	20.2 dB	20.2±0.6 dB	20.9±1.2 dB	19.5 dB	22.0 dB
CCUD-110	30 dB	1000:1/30 dB	0.1/30 dB	29.0 dB	30±1.0 dB	30±1.8 dB	24.9 dB	31.5 dB

Note: Other Coupling values available upon request.

Rev: 090518

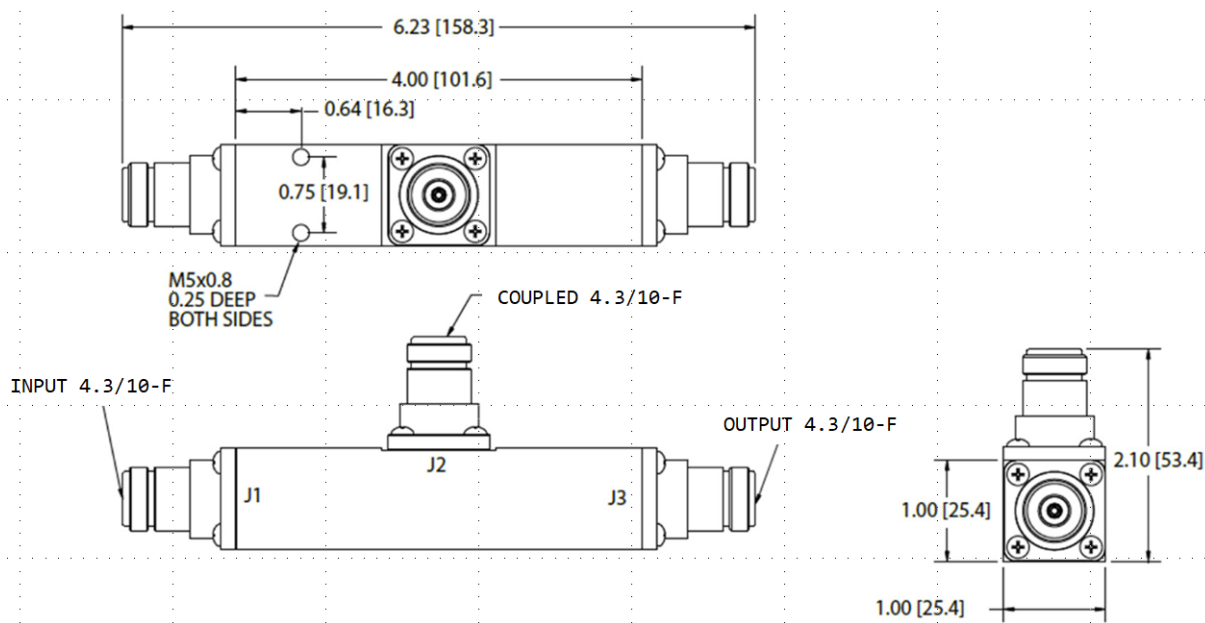
Product Specifications

Environmental Specifications

TEMPERATURE RANGE	-20 to +65°C Operating
WEATHERIZATION	IP-67

Mechanical Specifications

CONNECTORS	4.3/10.0, 7/16 DIN, 4.1/9.5, Type 'N'
DIMENSIONS	4.0 x 1.0 x 1.0" See Outline
WEIGHT	0.8 lbs



CCUD Series (Shown with 4.3/10.0 Connectors)

Rev: 090518