

Product Specifications



LOW PIM TERMINATIONS

**Broadband - Covers 500 MHz
to 6000 MHz**

Power Levels from 10 to 250W

Low PIM Design

IBWave Supported

Electrical Specifications

ClearComm Model Number	Max. Power	Frequency Range	Return Loss ¹	Passive Intermods
CCTM-032	10 W Avg.	500 - 6000 MHz	20 dB Min.	-160 dBc
CCTM-025	20 W Avg.	500 - 6000 MHz	20 dB Min.	-160 dBc
CCTM-020	40 W Avg.	500 - 6000 MHz	20 dB Min.	-160 dBc
CCTM-023	60 W Avg.	500 - 6000 MHz	20 dB Min.	-160 dBc
CCTM-026	100 W Avg.	500 - 6000 MHz	20 dB Min.	-160 dBc
CCTM-030	250 W Avg.	500 - 6000 MHz	20 dB Min.	-160 dBc

Note 1 – Return Loss specified from 698 – 6000 MHz. Request data for lower frequencies

Environmental Specifications

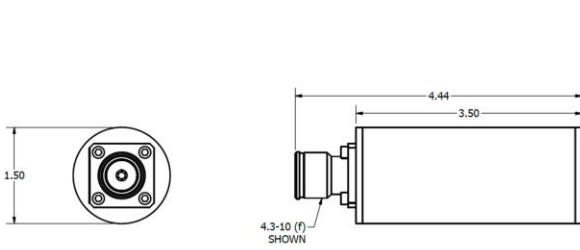
TEMPERATURE RANGE -20 to +65°C Operating
WEATHERIZATION Per IP-65

Mechanical Specifications

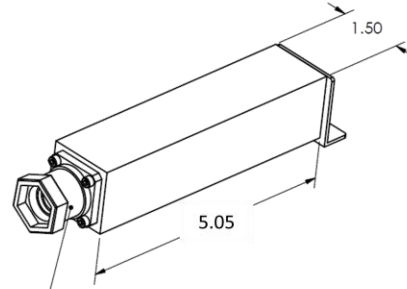
CONNECTORS 4.3/10.0, 7/16 DIN, Type 'N' (Default is Male Connector)
DIMENSIONS See Outlines

Rev: 090618

Product Specifications

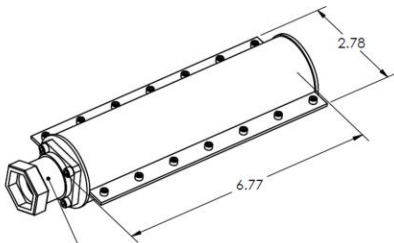


CCTM-032
10 Watts



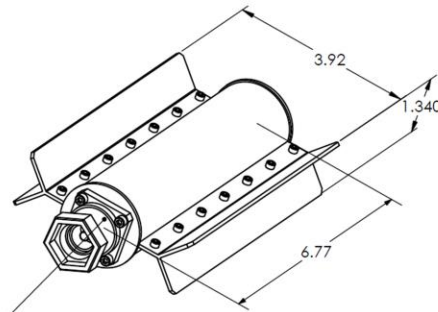
7/16 DIN CONNECTOR
SHOWN FOR REFERENCE

CCTM-25
20 Watts



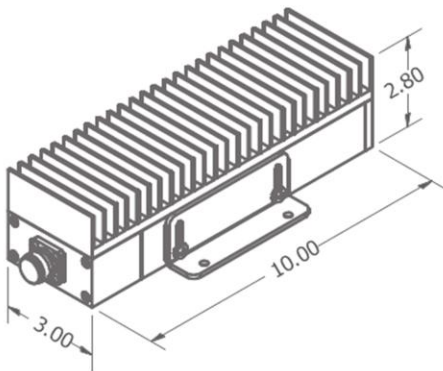
7/16 DIN CONNECTOR
SHOWN FOR REFERENCE

CCTM-020
40 Watts

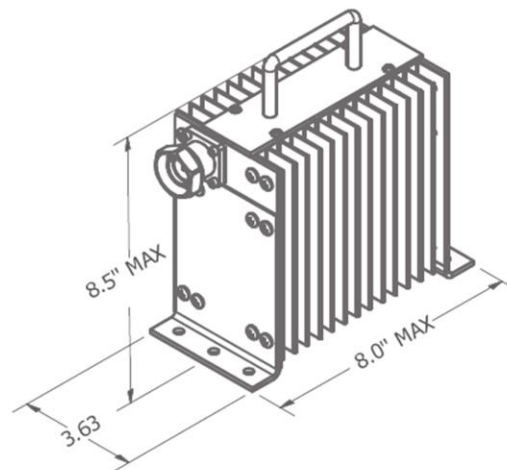


7/16 DIN CONNECTOR
SHOWN FOR REFERENCE

CCTM-023
60 Watts



CCTM-026
100 Watts



CCTM-030
250 Watts

Rev: 090618