

Product Specifications



TERMINATIONS, LOW POWER

- **Broadband - Covers DC MHz to 3000 MHz**
- **Power Levels from 1W to 20W**
- **IBWave Supported**

Electrical Specifications

FREQUENCY RANGE
RETURN LOSS

DC - 3000 MHz
22 dB Min

ClearComm Model Number	Power Handling	Connector
CCTM-010	1W Avg. / 250W Peak @ 25°C	7/16 DIN Male, 4.3/10.0 Male
CCTM-011	1W Avg. / 250W Peak @ 25° C	Type 'N' Male
CCTM-012	5W Avg. / 1kW Peak @ 25°C	7/16 DIN Male, 4.3/10.0 Male
CCTM-013	5W Avg. / 1kW Peak @ 25°C	Type 'N' Male
CCTM-014	10W Avg. / 1kW Peak @ 25°C	7/16 DIN Male, 4.3/10.0 Male
CCTM-015	10W Avg. / 1kW Peak @ 25°C	Type 'N' Male
CCTM-016	20W Avg. / 1kW Peak @ 25°C	7/16 DIN Male, 4.3/10.0 Male
CCTM-017	20W Avg. / 1kW Peak @ 25°C	Type 'N' Male

Environmental Specifications

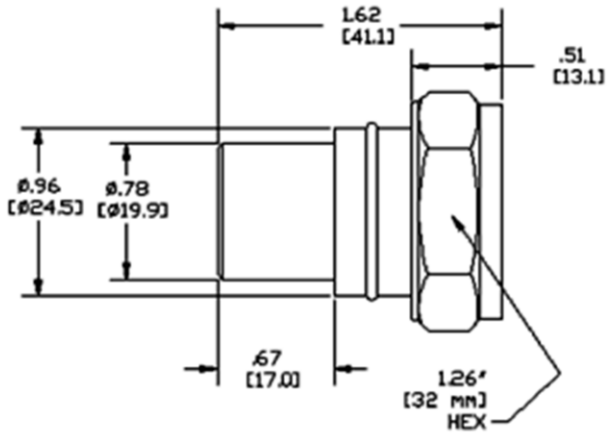
TEMPERATURE RANGE -20 to +65°C Operating
WEATHERIZATION IP-67

Mechanical Specifications

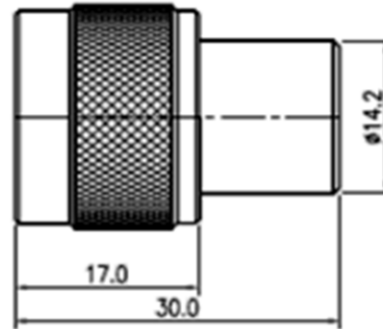
CONNECTORS 7/16 DIN, 4.3/10.0, Type 'N'
DIMENSIONS See Outlines

Rev: 090518

Product Specifications

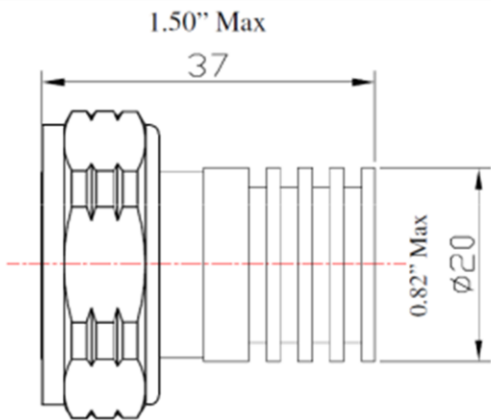


OUTLINE CCTM-010 (DIN)

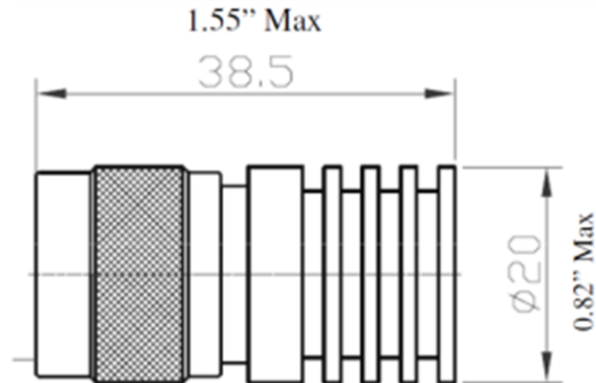


CCTM-011 (Type 'N')

1 Watt TERMINATIONS



OUTLINE CCTM-012 (DIN)

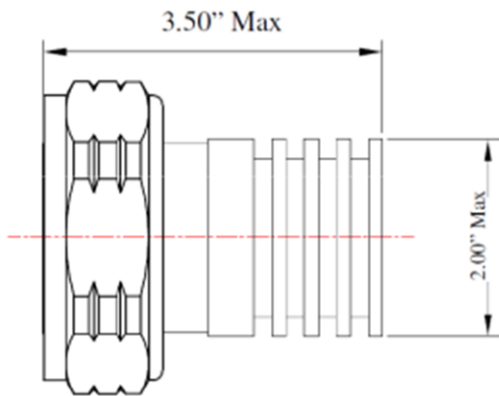


CCTM-013 (Type 'N')

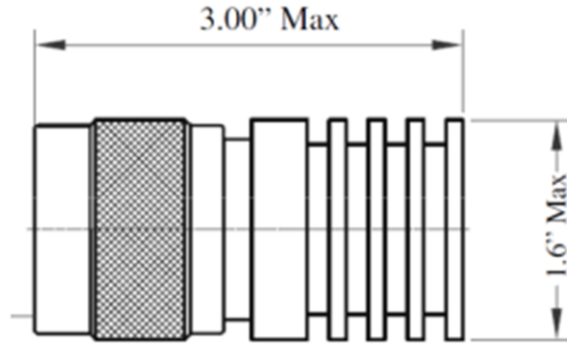
5 Watt TERMINATIONS

Rev: 090518

Product Specifications

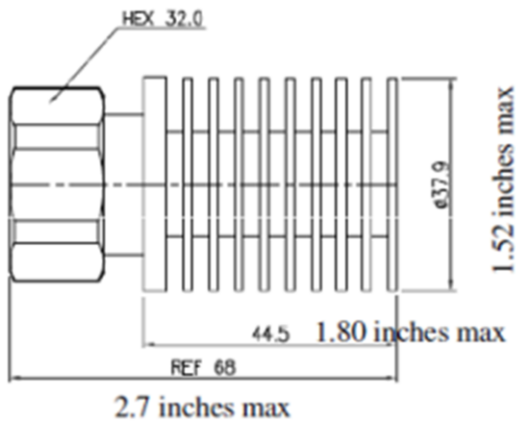


OUTLINE CCTM-014 (DIN)

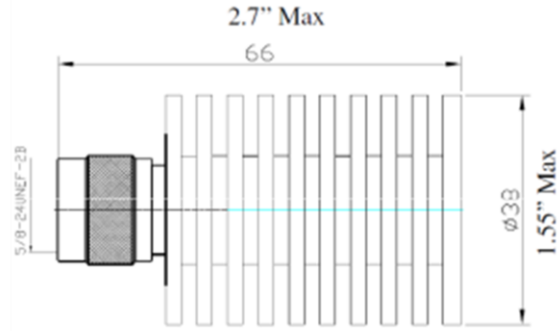


CCTM-015 (Type 'N')

10 Watt TERMINATIONS



OUTLINE CCTM-016 (DIN)



CCTM-017 (Type 'N')

20 Watt TERMINATIONS

Rev: 090518