

Product Specification



WIDEBAND 4x4 HYBRID

- **Wideband - Covers 350 to 5850 MHz**
- **Low Insertion Loss**
- **Low PIM Device, -153 dBc**
- **IBWave Supported**

ClearComm Model CCHC-113-xx

Electrical Specifications

FREQUENCY RANGE	350 - 5850 MHz
ISOLATION	25 dB Min.
NOMINAL PATH LOSS	6 dB
DISSIPATIVE LOSS	0.7 dB Max.
AMPLITUDE BALANCE	
350 – 2400 MHz	6.2±1.1 dB
2400 – 5850 MHz	6.2±1.3 dB
RETURN LOSS	21 dB Min.
PASSIVE INTERMODS	-153 dBc
POWER HANDLING	100W Max.
DC CONTINUITY	J1-J4 & J2-J3

Environmental Specifications

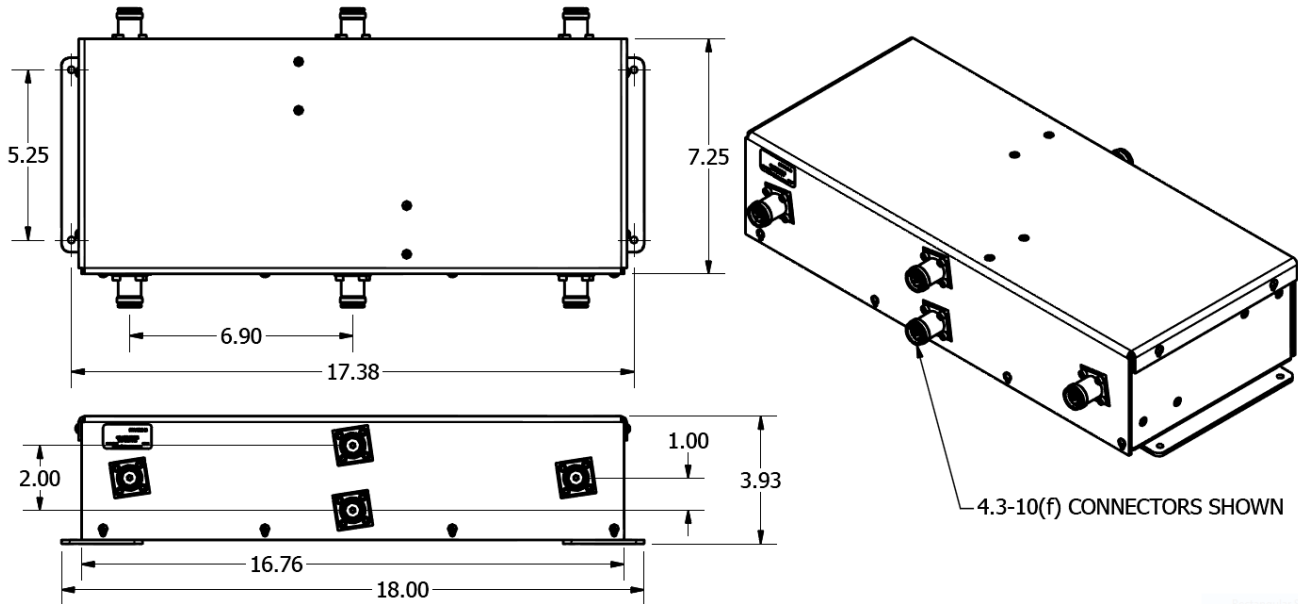
TEMPERATURE RANGE	-20 to +65°C Operating
WEATHERIZATION	IP-67

Mechanical Specifications

CONNECTORS	4.3/10.0, 7/16 DIN, 4.1/9.5, Type 'N'
DIMENSIONS	18.0 x 7.25 x 3.93" See Outline
WEIGHT	Approx. 14 lbs.

Rev: 021819

Product Specification



OUTLINE DRAWING

Rev: 021819