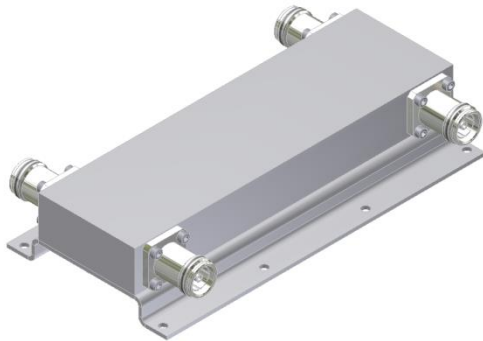


Product Specification



WIDEBAND 2x2 HYBRID

- **Wideband - Covers 350 to 5850 MHz**
- **Low Insertion Loss**
- **Low PIM Device, -153 dBc**
- **IBWave Supported**

ClearComm Model CCHC-111

Electrical Specifications

FREQUENCY RANGE	350 - 5850 MHz
PASSIVE INTERMODS	-153 dBc
DC CONTINUITY	J1-J4 & J2-J3

FREQUENCY	ISOLATION	COUPLING & LOSS	RETURN LOSS	POWER HANDLING
350 – 1500 MHz	23 dB Min	3.2±0.6 dB	18 dB Max.	210 W Max.
1500 – 2500 MHz	21 dB Min.	3.6±0.0 dB	16 dB Max.	200 W Max.
2500 – 2700 MHz	21 dB Min.	3.7±0.8 dB	16 dB Max.	165 W Max.
2700 – 4900 MHz	15 dB Min.	3.9±1.0 dB	16 dB Max.	150 W Max.
4900 – 5850 MHz	14 dB Min.	4.4±1.0 dB	14 dB Max	150 W Max.

Environmental Specifications

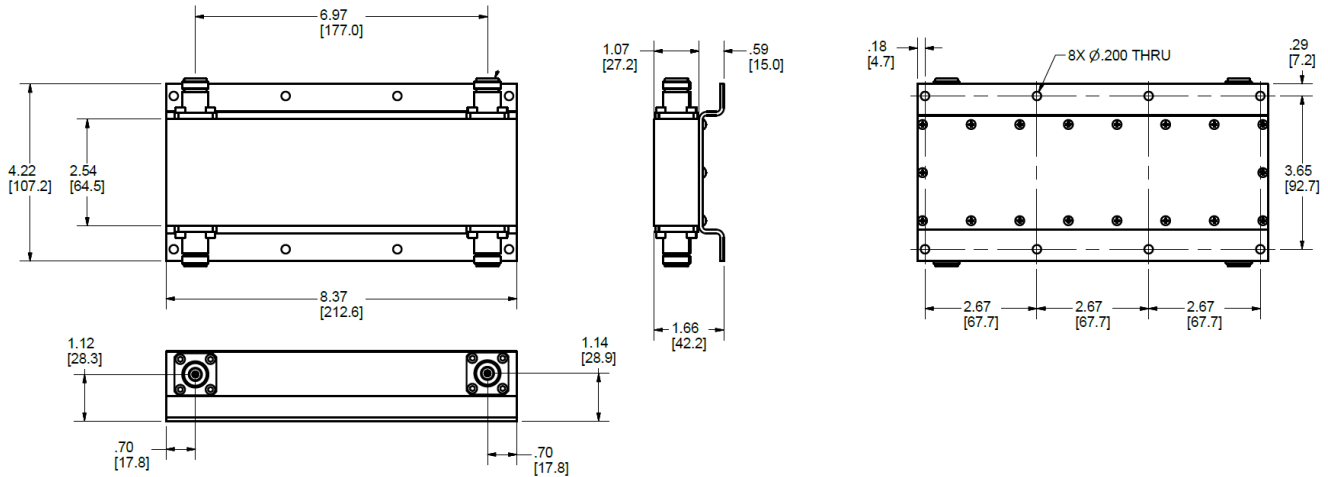
TEMPERATURE RANGE	-20 to +65°C Operating
WEATHERIZATION	IP-67

Mechanical Specifications

CONNECTORS	4.3/10.0, 7/16 DIN, 4.1/9.5, Type 'N'
DIMENSIONS	8.37 x 4.22 x 1.66" See Outline
WEIGHT	Approx 2.2 lbs

Rev: 021819

Product Specification



OUTLINE DRAWING

Rev: 021819