

# Product Specifications



## HYBRID COUPLERS

- **Broadband - Covers 555 MHz to 2700 MHz**
- **Low Insertion Loss**
- **Low PIM Device, -155 dBc**
- **2x2, 3x3 and 4x4 Hybrids**
- **IBWave Supported**

## Electrical Specifications

FREQUENCY RANGE	555 - 2700 MHz
POWER RATING	100W Avg. Per Port
PASSIVE INTERMODS	-155 dBc Min.
DC CONTINUITY	Thru Lines

ClearComm Model Number	Description	Insertion Loss Per Channel	Isolation	Return Loss
CCHC-101	2 x 2 Hybrid	3.5 dB Nom.	30 dB Min	25 dB Min
CCHC-102	3 x 3 Hybrid	4.8 dB Nom.	25 dB Min.	20 dB Min
CCHC-103	4 x 4 Hybrid	6.2 dB Nom.	23 dB Min.	20 dB Min

## Environmental Specifications

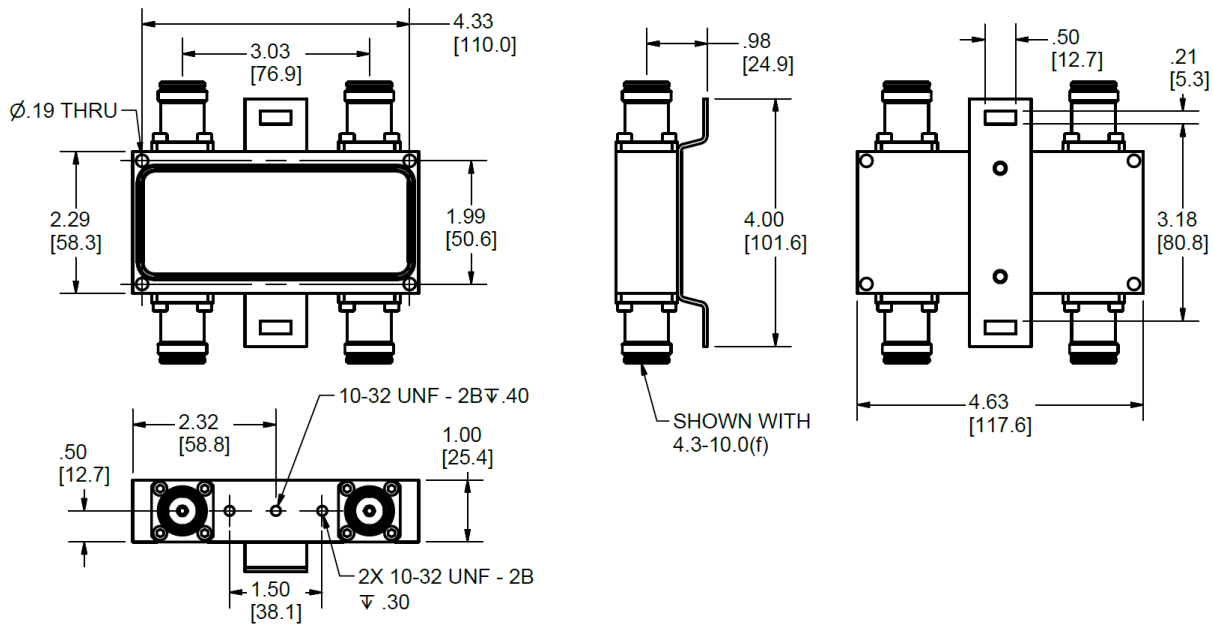
TEMPERATURE RANGE	-20 to +65°C Operating
WEATHERIZATION	IP-67

## Mechanical Specifications

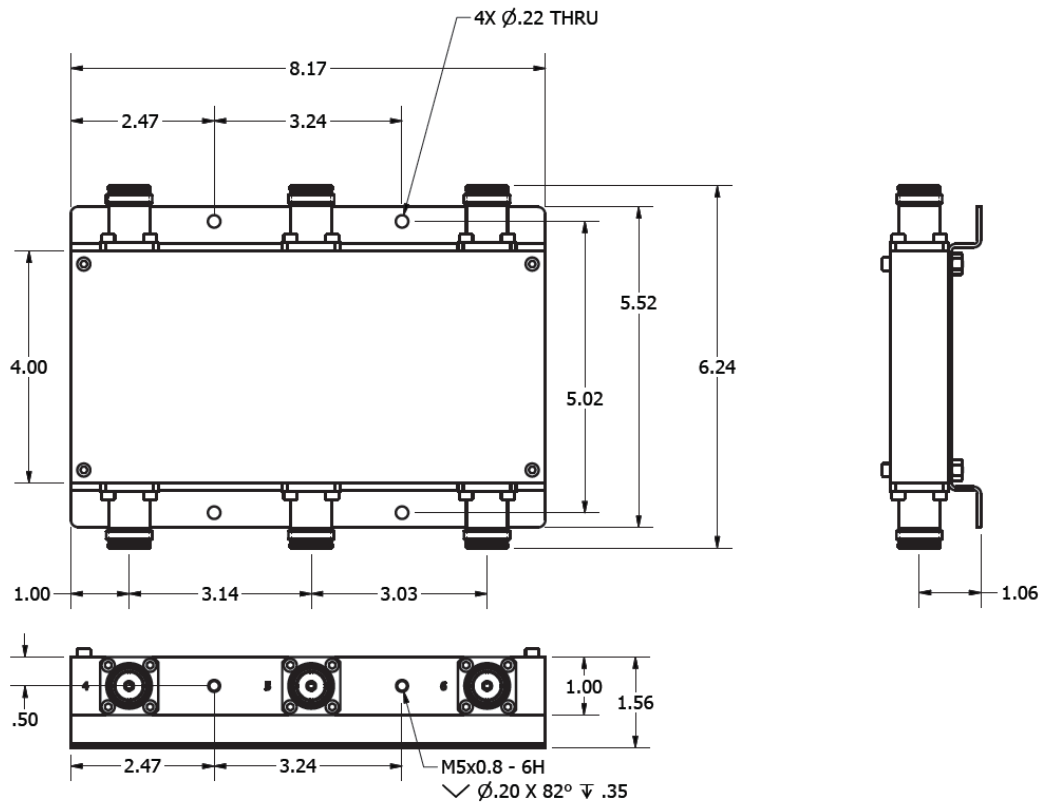
CONNECTORS	4.3/10.0, 7/16 DIN, Type 'N', 7/16 DIN
DIMENSIONS	See Outlines
WEIGHT	CCHC-101 Series, 1.4 lbs CCHC-102 Series, 4.2 lbs CCHC-103 Series, 5.2 lbs

Rev: 090518

# Product Specifications



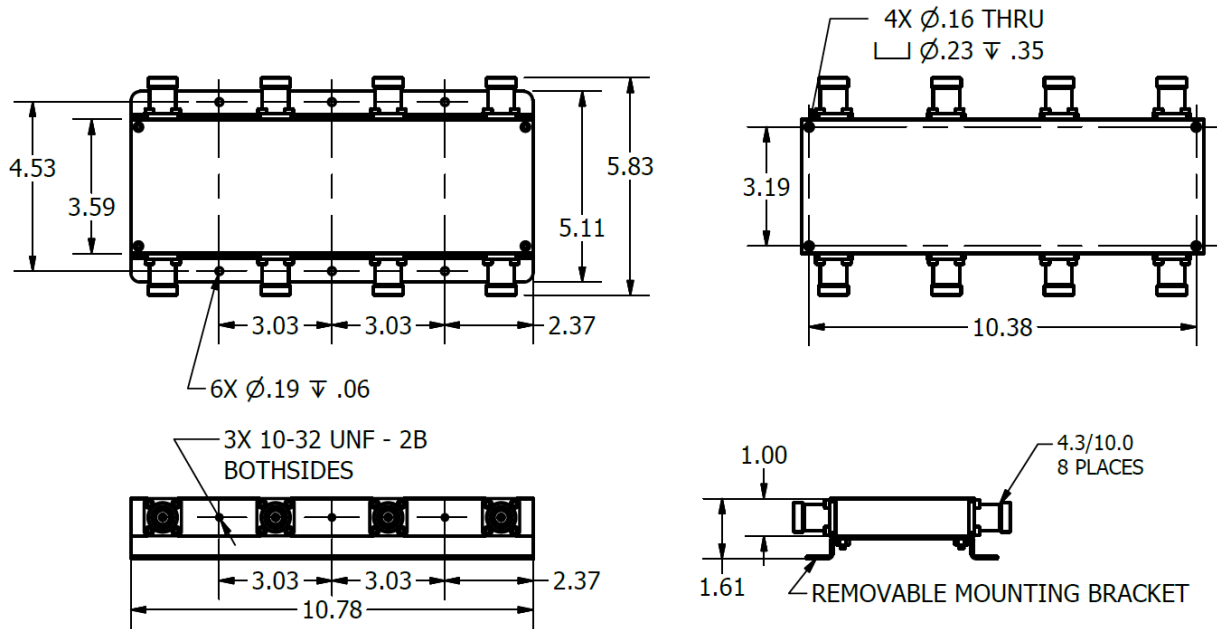
**CCHC-101 (Shown with 4.3/10.0 Connectors)**



**CCHC-102 (Shown with 4.3/10.0 Connectors)**

Rev: 090518

# Product Specifications



**CCHC-103 (Shown with 4.3/10.0 Connectors)**

Rev: 090518