

Product Specification



CCDP-900-XDW

Diplexer, PCS / Not PCS

- **Covers 1900 Band**
- **Covers AWS+WCS+BRS Bands**
- **Compact Size with Low Loss**
- **High Isolation / PIM Rated**

Electrical Specifications

| | |
|-------------------|-------------------------------|
| FREQUENCY RANGE | |
| PORT1 (PCS) | 1850 - 1995 MHz |
| PORT2 (Not PCS) | 1695 – 1800 & 2100 - 2700 MHz |
| INSERTION LOSS | 0.5 dB Max, 0.3 dB Typ. |
| RETURN LOSS | 20 dB Min. |
| ISOLATION | 30 dB Min, 50 dB Typ. |
| POWER HANDLING | 100W Avg. / 500 W Peak |
| PASSIVE INTERMODS | -156 dBc |

Environmental Specifications

| | |
|----------------------------|---------------------------------|
| OPERATING TEMPERATURE | -40° to +65°C Operating |
| ENVIRONMENTAL | Per IP-67 |
| ENVIRONMENTAL RATING | ETSI EN 300 019 Class 4.1, RoHS |
| LIGHTENING PROTECTION | EN / IEC 61000 4-5, Level 4 |
| ALTITUDE | 3,000m Max. (10,000 Ft) |
| MEAN TIME BETWEEN FAILURES | 10 ⁷ Hrs. Min |

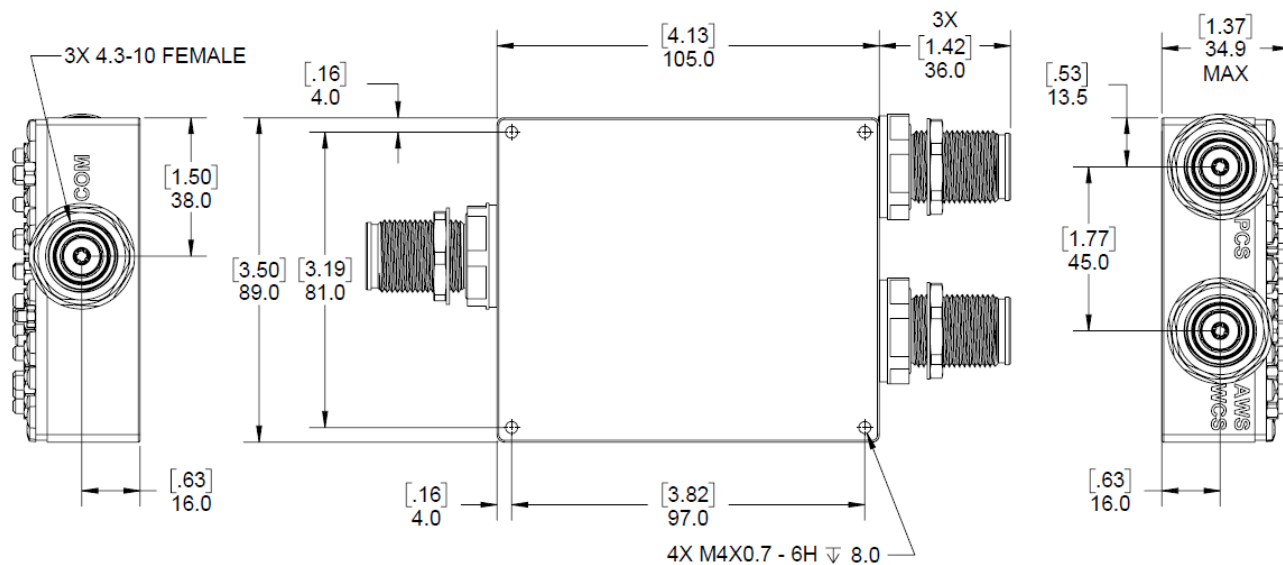
Mechanical Specifications

| | |
|------------|--|
| CONNECTORS | 4.3/10.0 Female |
| SIZE | 105 x 89 x 35mm (4.13 x 3.5 x 1.4 Ins) |
| WEIGHT | Approx. 2.3 kg (5 lbs.) |

Rev: 021819



Product Specification



Outline Drawing

Rev: 021819