

# Product Specification



## ATTENUATORS, LOW POWER



- **Broadband - Covers DC to 6000 MHz**
- **Fixed Values from 3 to 30 dB**
- **Optional Connector Styles**
- **IBWave Supported**

---

### Electrical Specifications

FREQUENCY RANGE	DC - 6000 MHz
ATTENUATION VALUES	Fixed, 3 - 30 dB
RETURN LOSS	20 dB Min. Bi-Directional
POWER RATING	2 W Avg.

ClearComm Model Number	Attenuation
CCLA-112	3 dB $\pm$ 0.3 dB
CCLA-113	6 dB $\pm$ 0.3 dB
CCLA-114	10 dB $\pm$ 0.5 dB
CCLA-115	15 dB $\pm$ 0.6 dB
CCLA-116	20 dB $\pm$ 0.6 dB
CCLA-117	30 dB $\pm$ 0.7 dB

Note: Other attenuation values available upon request.

---

### Environmental Specifications

TEMPERATURE RANGE	-55 to +85°C Operating
WEATHERIZATION	IP-67

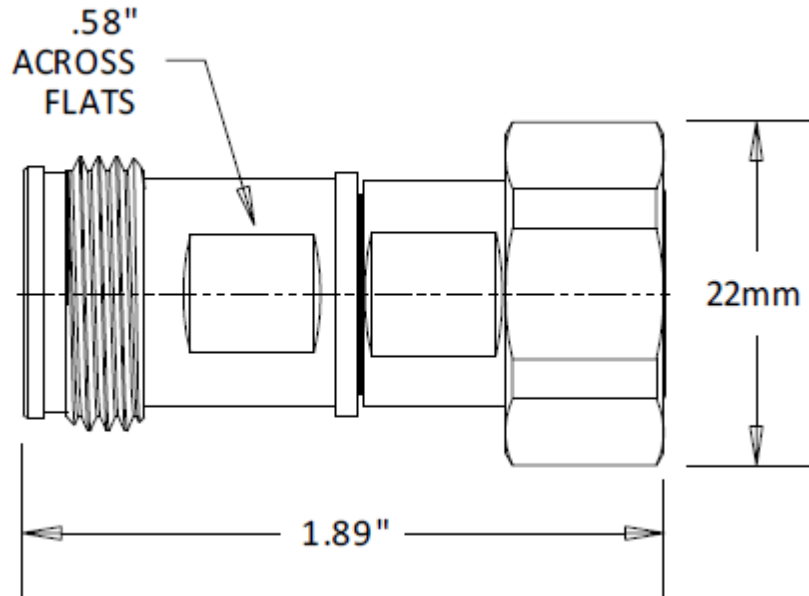
---

### Mechanical Specifications

CONNECTORS	4.3/10.0, 7/16 DIN, Type 'N'
DIMENSIONS	1.89 Long Including Connectors
WEIGHT	0.5 lbs.

Rev: 020921

# Product Specification



OUTLINE DRAWING

Rev: 020921