

# Product Specifications



## LOW PIM TERMINATIONS

Broadband - Covers 500 MHz  
to 6000 MHz

Power Levels from 10 to 250W

Low PIM Design

IBWave Supported



## Electrical Specifications

ClearComm Model Number	Max. Power	Frequency Range	Return Loss <sup>1</sup>	Passive Intermods
CCTM-032	10 W Avg.	500 - 6000 MHz	20 dB Min.	-160 dBc
CCTM-025	20 W Avg.	500 - 6000 MHz	20 dB Min.	-160 dBc
CCTM-020	40 W Avg.	500 - 6000 MHz	20 dB Min.	-160 dBc
CCTM-023	60 W Avg.	500 - 6000 MHz	20 dB Min.	-160 dBc
CCTM-026	100 W Avg.	500 - 6000 MHz	20 dB Min.	-160 dBc
CCTM-030	250 W Avg.	500 - 6000 MHz	20 dB Min.	-160 dBc

Note 1 – Return Loss specified from 698 – 6000 MHz. Request data for lower frequencies

## Environmental Specifications

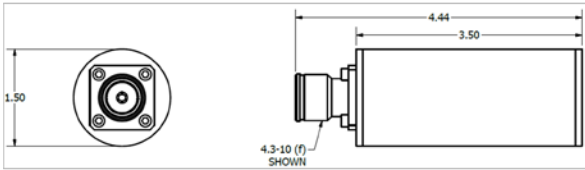
TEMPERATURE RANGE -20 to +65°C Operating  
WEATHERIZATION Per IP-65

## Mechanical Specifications

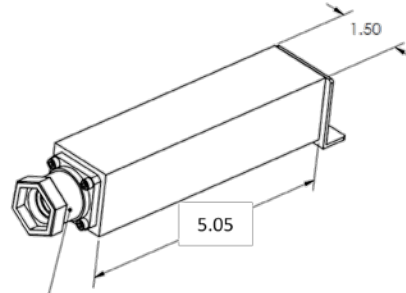
CONNECTORS 4.3/10.0, 7/16 DIN, Type 'N' (Default is Male Connector)  
DIMENSIONS See Outlines

Rev: 090618

# Product Specifications

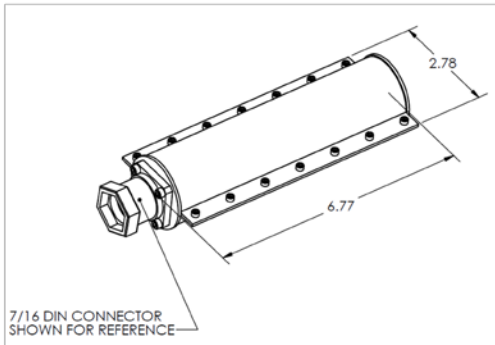


**CCTM-032**  
10 Watts

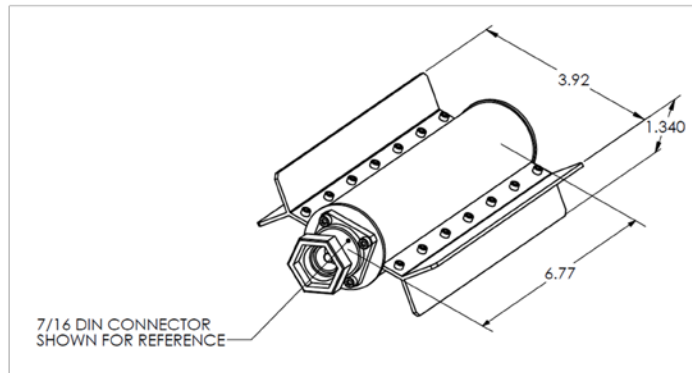


7/16 DIN CONNECTOR  
SHOWN FOR REFERENCE

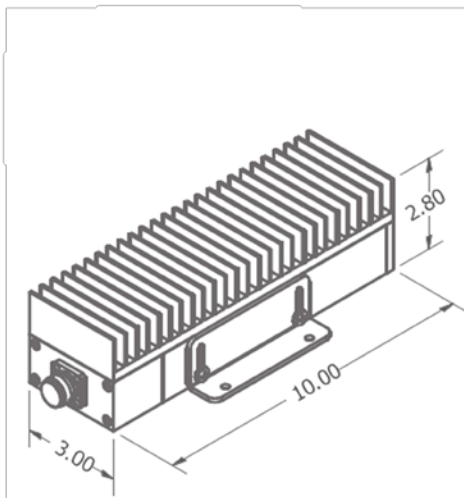
**CCTM-25**  
20 Watts



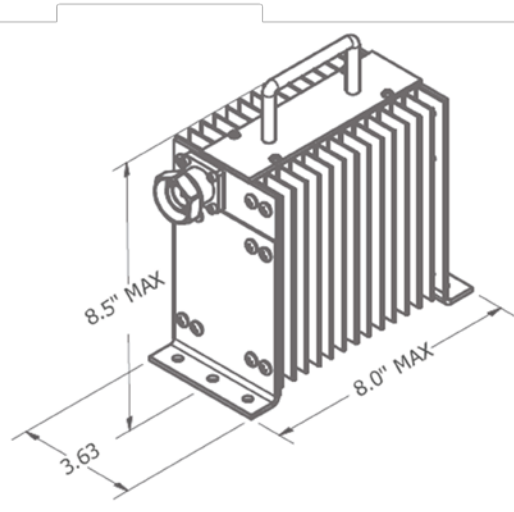
**CCTM-020**  
40 Watts



**CCTM-023**  
60 Watts



**CCTM-026**  
100 Watts



**CCTM-030**  
250 Watts

Rev: 090618