

Product Specifications



REACTIVE POWER DIVIDERS

- Broadband - Covers 380 MHz to 2700 MHz
- Low Insertion Loss
- Low PIM Device, -155 dBc
- 2, 3 and 4 Way Dividers
- IBWave Supported

Electrical Specifications

FREQUENCY RANGE	380 - 2700 MHz
POWER RATING	300W Avg. 3kW Peak Any Port
PASSIVE INTERMODS	-155 dBc
DC CONTINUITY	Thru Line

ClearComm Model Number	Number of Outputs	Return Loss Input	Insertion Loss	Split Loss
CCPD-109 Series	2	20 dB Min.	0.2 dB Max	3.1
CCPD-111 Series	3	20 dB Min.	0.2 dB Max	4.8
CCPD-110 Series	4	20 dB Min.	0.2 dB Max	6.0

Environmental Specifications

TEMPERATURE RANGE	-20 to +65°C Operating
WEATHERIZATION	IP-67

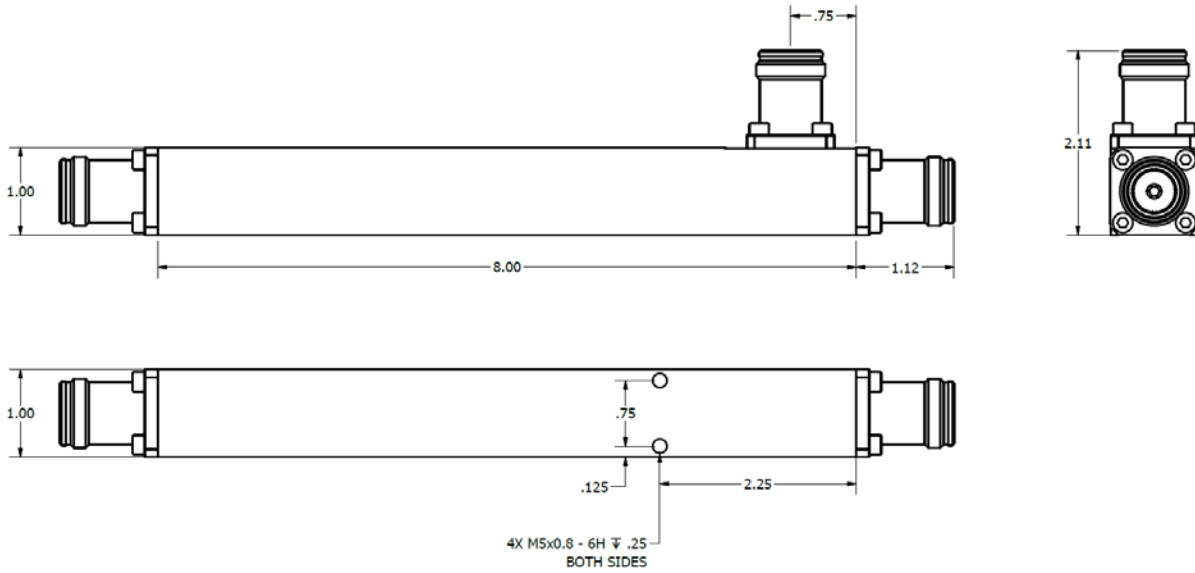
Mechanical Specifications

CONNECTORS	4.3/10.0, 7/16 DIN, 4.1/9.5, Type 'N'
DIMENSIONS	See Outlines
WEIGHT	CCPD-109 Series (2-Way) 1.2 lbs CCPD-111 Series (3 Way) 1.4 lbs CCDP-110 Series (4 Way) 1.6 lbs

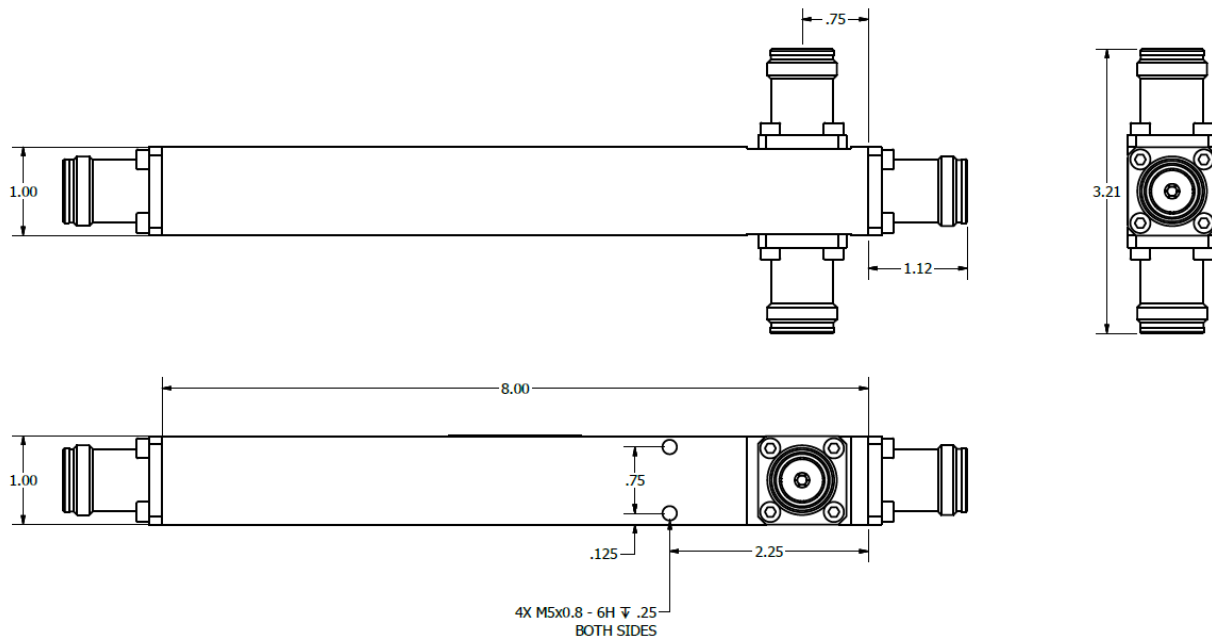
Rev: 090518

ClearComm Technologies
Clearly the Choice!

Product Specifications



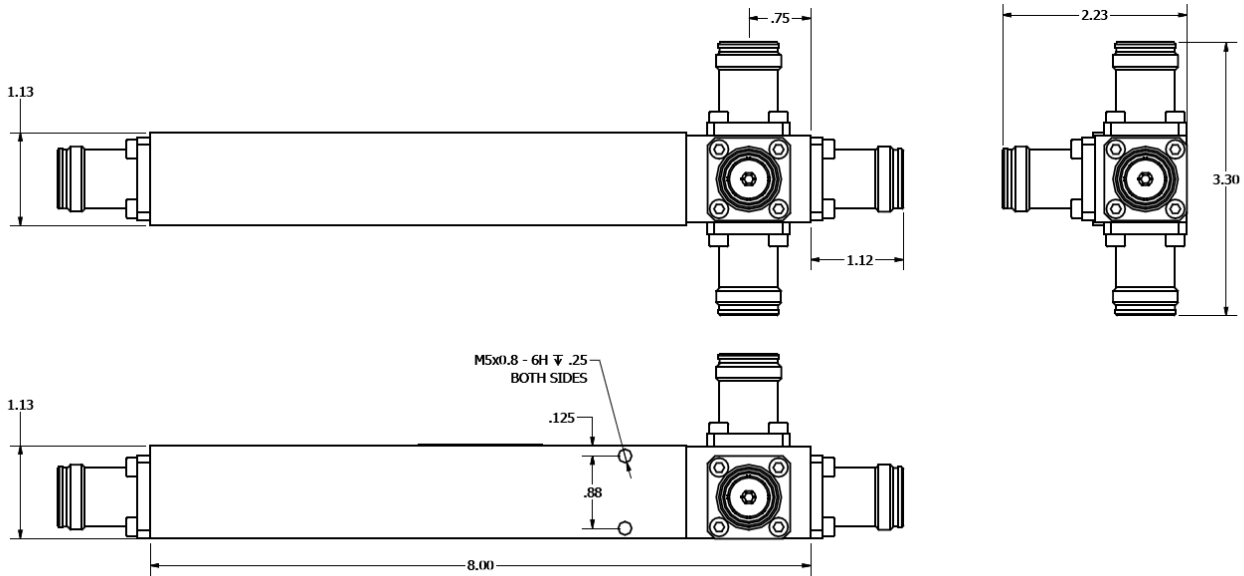
CCPD-109 (Shown with 4.3/10.0 Connectors)



CCPD-111 (Shown with 4.3/10.0 Connectors)

Rev: 090518

Product Specifications



CCPD-110 (Shown with 4.3/10.0 Connectors)

Rev: 090518