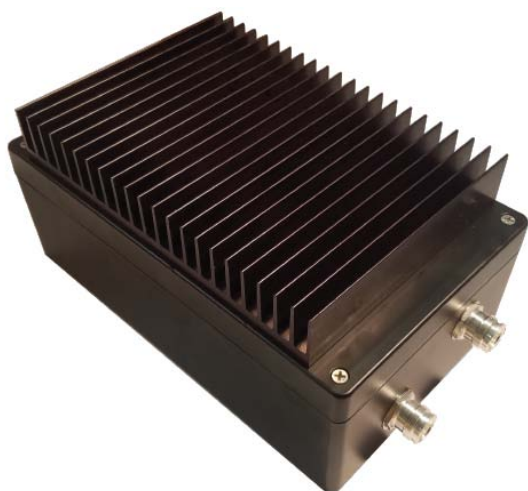


Product Specifications



HYBRID COMBINER, 2:1

- Broadband - Covers 600 MHz to 2700 MHz
- Low Insertion Loss
- Low PIM Device, -155 dBc
- IBWave Supported

ClearComm Model CCHC-104-1W

Electrical Specifications

FREQUENCY RANGE	600 - 2700 MHz
INSERTION LOSS	3.5 dB Max. (3.1 dB Coupling Loss)
RETURN LOSS	23 dB Min
ISOLATION	20 dB Min..
POWER RATING	250W Avg. Per Port
PASSIVE INTERMODS	-155 dBc

Environmental Specifications

TEMPERATURE RANGE	-20 to +65°C Operating
WEATHERIZATION	IP-67

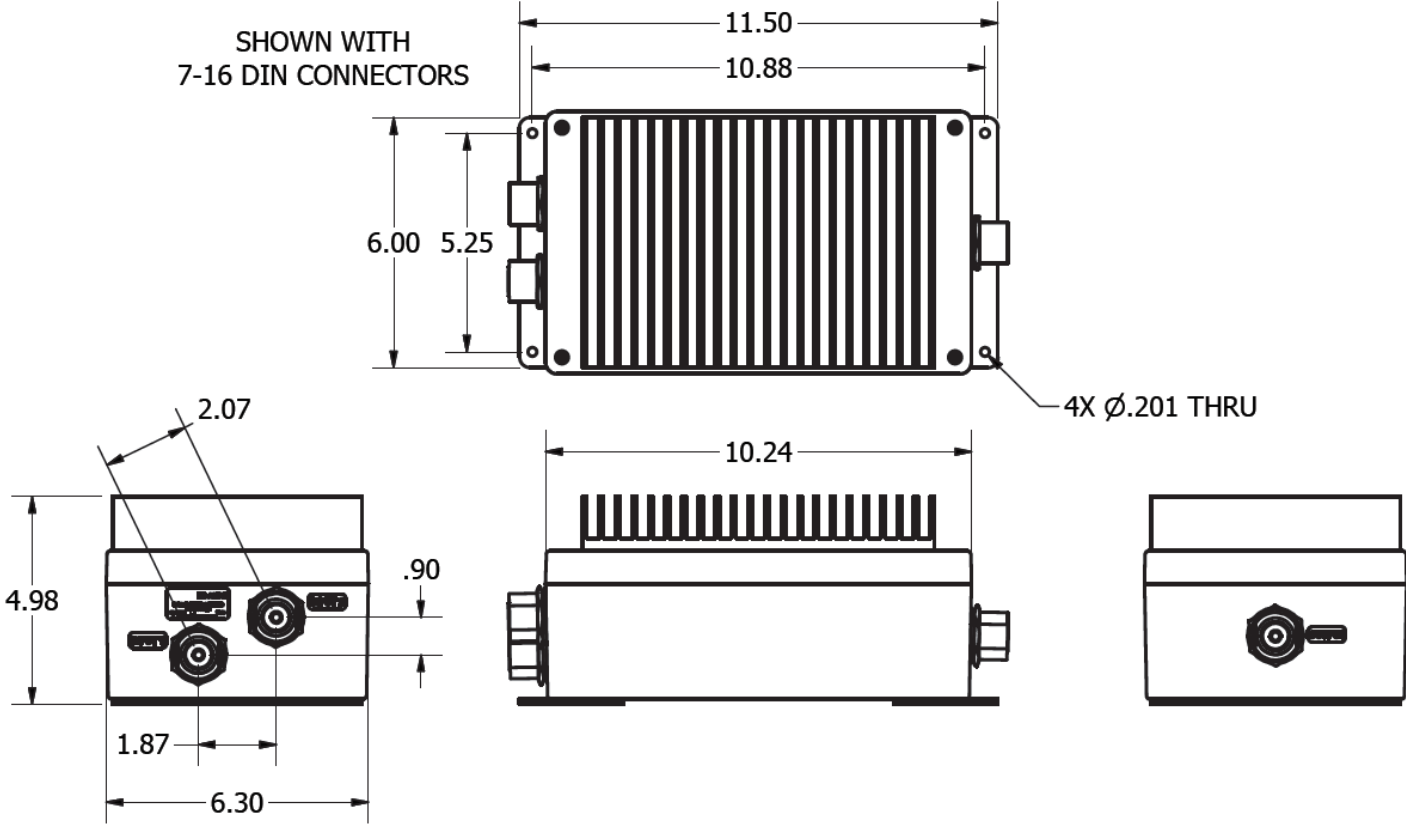
Mechanical Specifications

CONNECTORS	4.3/10.0, Type 'N', 7/16 DIN
DIMENSIONS	See Outline
WEIGHT	Approx. 8 lbs

Rev: 090518

ClearComm Technologies
Clearly the Choice!

Product Specifications



OUTLINE DRAWING - CCHC-104-1W

Rev: 090518