

# Product Specifications



## DIRECTIONAL COUPLERS

- Broadband - Covers 380 MHz to 2700 MHz
- Low Insertion Loss
- Low PIM Device, -155 dBc
- Coupling Values from 6-30 dB
- IBWave Supported

## Electrical Specifications

FREQUENCY RANGE	380 - 2700 MHz
PRIMARY / COUPLED LINE RETURN LOSS	20 dB Min. / 18 dB Min.
POWER RATING	200W Avg.
PASSIVE INTERMODS	-155 dBc
DC CONTINUITY	Thru Line

ClearComm Model Number	Coupling Including Flatness	Flatness	Insertion Loss	Directivity
CCDC-110	6 dB +1.0/-1.0 dB	±0.4 dB	1.90 dB Max	20 dB Min
CCDC-111	10 dB +1.2/-0.5 dB	±0.5 dB	0.83 dB Max	20 dB Min
CCDC-112	15 dB +1.2/-0.7 dB	±0.6 dB	0.43 dB Max	20 dB Min
CCDC-113	20 dB +1.2/-0.5 dB	±0.6 dB	0.31 dB Max	20 dB Min
CCDC-114	30 dB +2.0/-0.0 dB	±0.6 dB	0.27 dB Max	20 dB Min

*Note: Other Coupling Values Available Upon Request*

## Environmental Specifications

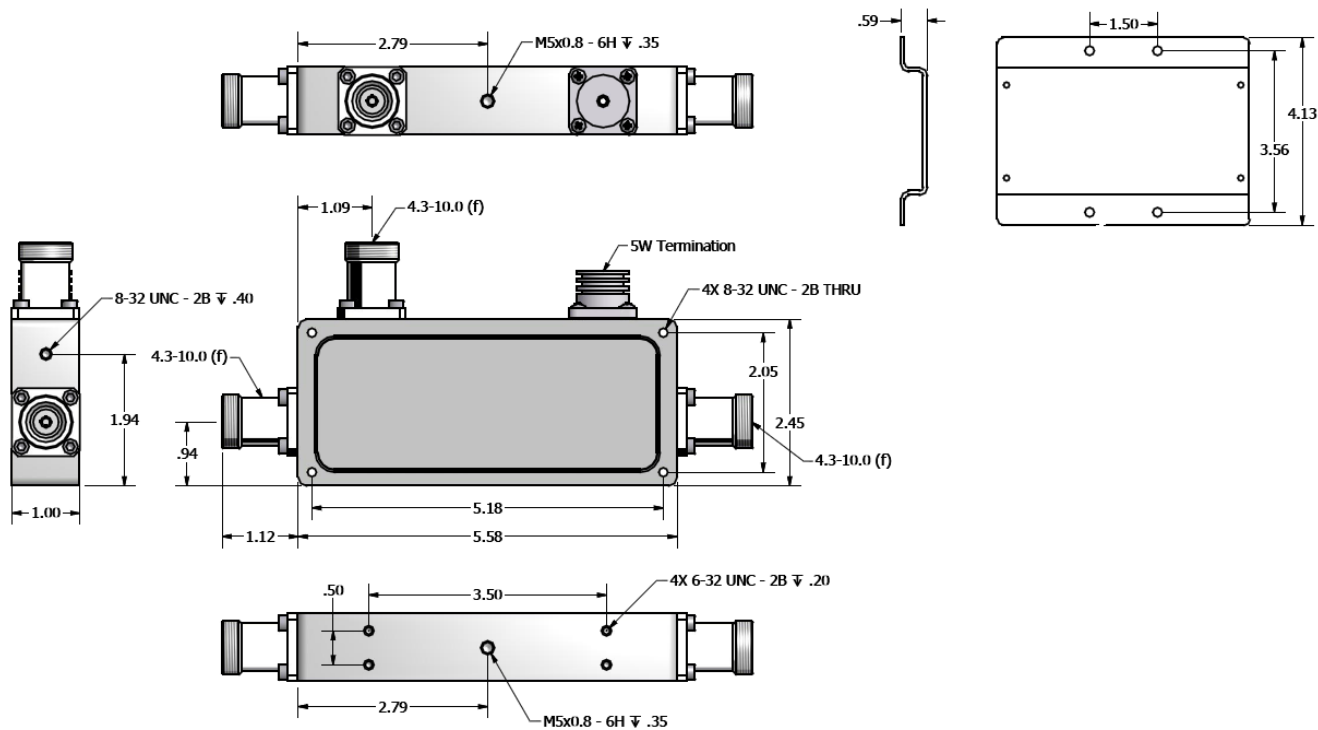
TEMPERATURE RANGE	-20 to +65°C Operating
WEATHERIZATION	IP-67

## Mechanical Specifications

CONNECTORS	4.3/10.0, 7/16 DIN, Type 'N'
DIMENSIONS	5.2 x 3.6 x 1.0" See Outline
WEIGHT	1.5 lbs

Rev 090518

# Product Specifications



## OUTLINE DRAWING - CCDC SERIES

Rev 090518