

Product Specifications



ATTENUATORS

- Broadband - Covers 500 MHz to 6000 MHz
- Fixed Values from 3 to 30 dB
- Low PIM Device, -155 dBc
- Bi-Directional with Full Power
- IBWave Supported

Electrical Specifications

FREQUENCY RANGE	500 - 6000 MHz
ATTENUATION VALUES	Fixed, 3 - 30 dB
RETURN LOSS	20 dB Min. Bi-Directional
POWER RATING	100W Avg. with included Heat Sink
PASSIVE INTERMODS	-160 dBc

ClearComm Model Number	Description
CCHA-110	Attenuator, 3 dB, 100 W Avg.
CCHA-111	Attenuator, 6 dB, 100 W Avg.
CCHA-112	Attenuator, 10 dB, 100 W Avg.
CCHA-113	Attenuator, 15 dB, 100 W Avg.
CCHA-114	Attenuator, 20 dB, 100 W Avg.
CCHA-115	Attenuator, 30 dB, 100 W Avg.

Note: Other attenuation values available upon request.

Environmental Specifications

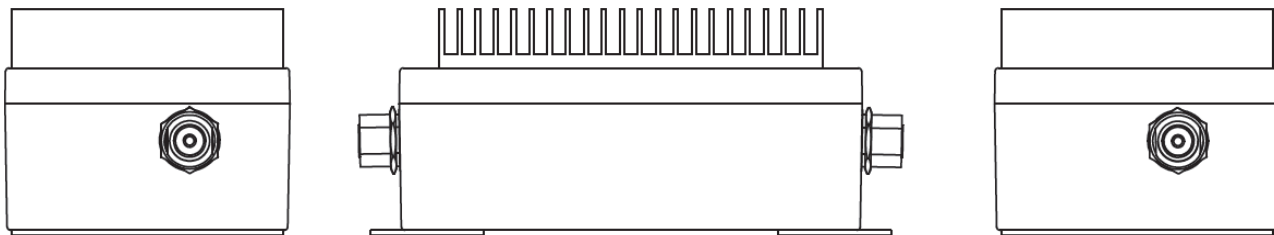
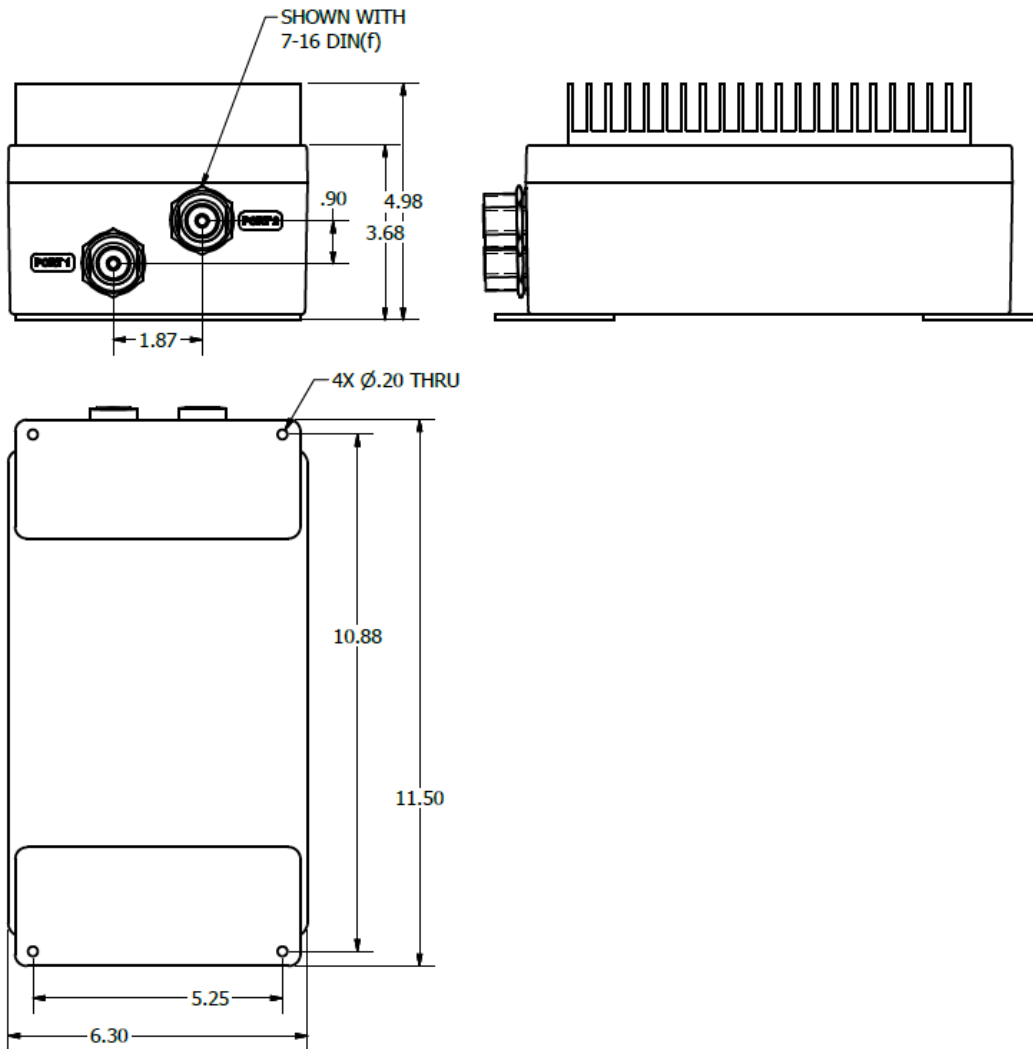
TEMPERATURE RANGE	-20 to +65°C Operating
WEATHERIZATION	IP-67

Mechanical Specifications

CONNECTORS	4.3/10.0, 7/16 DIN, 4.1/9.5 MiniDIN, Type 'N'
DIMENSIONS	11.5 x 6.3 x 5.0 Excluding Connectors
WEIGHT	15 lbs

Rev: 090518

Product Specifications



OUTLINE DRAWINGS In-Line and Same Side Connectors

Rev: 090518