



WIRELESS PRODUCTS

DAS Interface (Dual)

Model Numbers:	CCCF-448	700 MHz, Lower B/C Band
	CCCF-444	700 MHz, Upper C Band
	CCCF-449	850 MHz A/B Band
	CCCF-450	1900 MHz A-F Bands
	CCCF-451	AWS Band

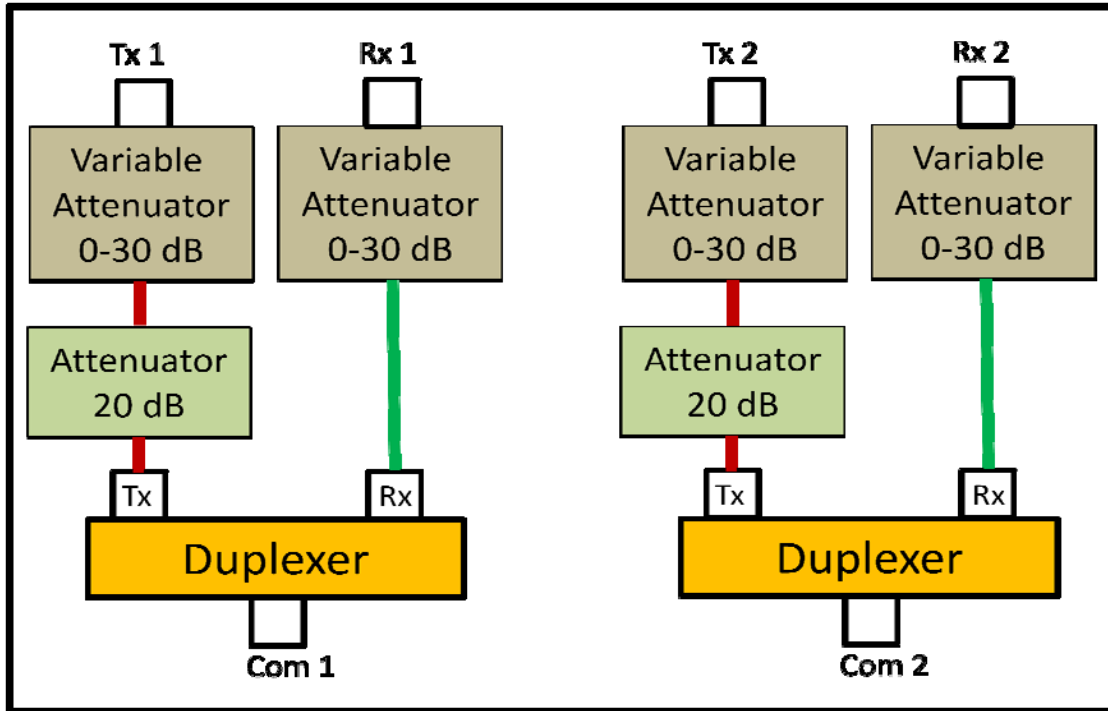
PARAMETER	SPECIFICATION
FREQUENCY RANGE	Rx Path & Tx Path
700 MHz, Lower B/C Band	704-716 MHz & 734-746 MHz
700 MHz, Upper C Band	776-787 MHz & 746-757 MHz
850 MHz A/B Band	824-849 MHz & 869-894 MHz
1900 MHz A-F Bands	1850-1910 MHz & 1930-1900 MHz
AWS Band	1710-1755 MHz & 2110-2155 MHz
Tx PATH ATTENUATION RANGE	20 dB to 50 dB
In 1 dB Steps	
Rx PATH ATTENUATION RANGE	0* dB to 30 dB.
In 1 dB Steps	* Rx Path Minimum loss is 1.0 dB
PASSBAND RETURN LOSS	20 dB Min
ISOLATION Tx TO Rx	60 dB Min
PASSIVE INTERMODULATION (PIM)	-153 dBc Max
POWER HANDLING	100 W Avg. / CW 1500 W Peak
OPERATING TEMPERATURE	+10° to +40° C
CONNECTORS	Type 'N' Female
DIMENSIONS	19" x 2U Shelf

Note: There are two assemblies per tray.



WIRELESS PRODUCTS

DAS Interface (Dual)



Typical Block Diagram