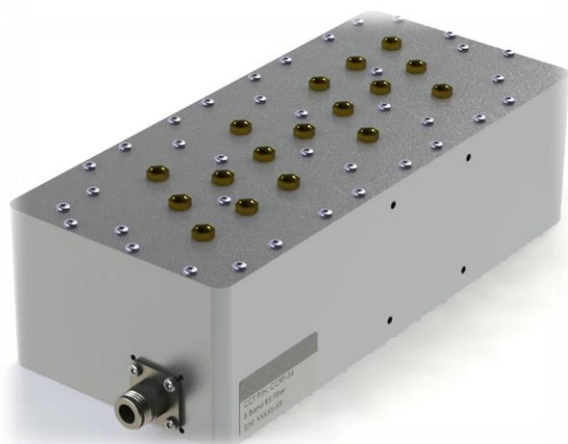


Product Specification



CCRF-33

850 A Band Receive Filter

Covers 824 to 846.5 MHz

High Transmit Band Rejection

Low Loss Design

Electrical Specifications

FREQUENCY RANGE	824 – 846.5 MHz
INSERTION LOSS	0.9 dB Max.
INSERTION LOSS VARIATION	0.6 dB Max.
RETURN LOSS	18 dB Min.
REJECTION 851 – 1000 MHz.	61 dB Min.

Environmental Specifications

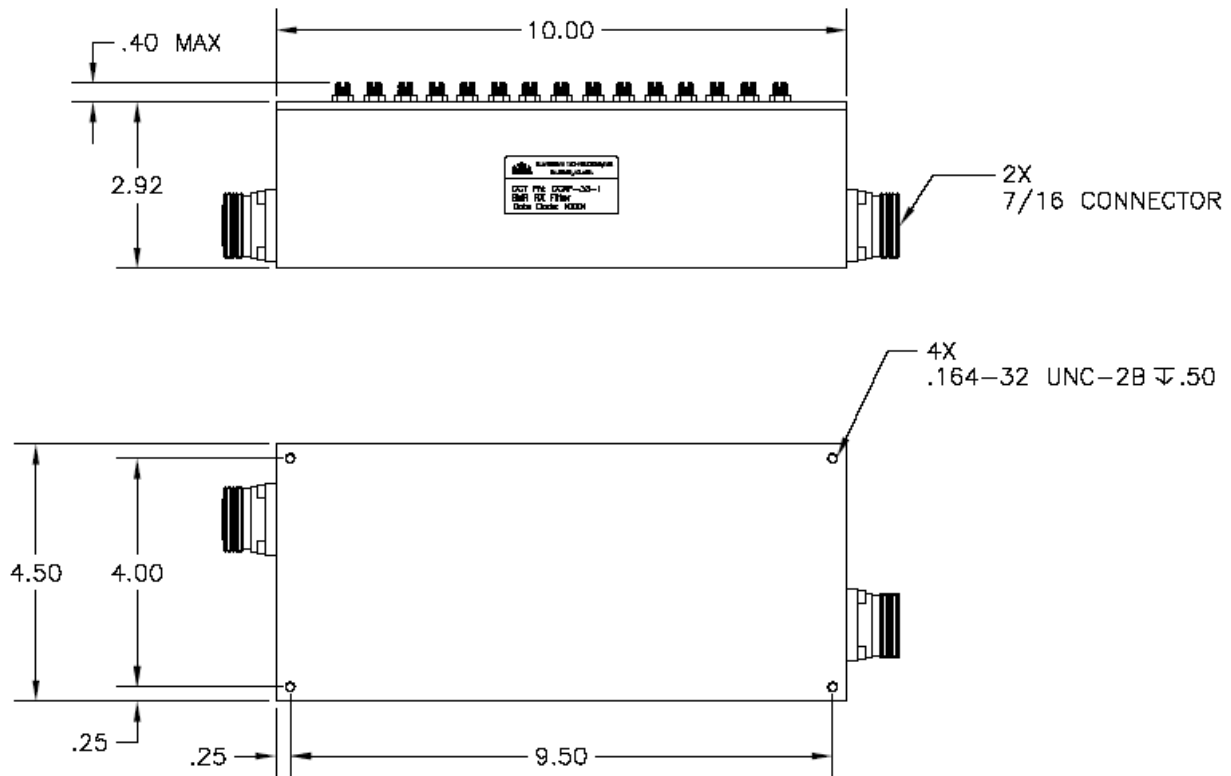
OPERATING TEMPERATURE	0° to +60°C Operating
ENVIRONMENTAL	Per ETS-300
WEATHERIZATION	Per IP-65 (Indoor)
LIGHTENING PROTECTION	Per EN / IEC 61000 4-5, Level 4

Rev: 062619

Product Specification

Mechanical Specifications

CONNECTORS	7/16 DIN Female Optional: 4.3/10.0, Type 'N'
SIZE	10.0" x 4.5" x 3.5"
WEIGHT	Approx. 12 lbs.



OUTLINE DRAWING

Rev: 062619