

Product Specification

CCFA-386-XDW-N2

Tri Band Combiner

- **Covers 700 / 850 / 1900-2500 Bands**
- **Fully Weatherized**
- **Low Loss / High Isolation**
- **DC / ASIG Auto Sense**
- **Single, Dual or Quad Units Available**



Electrical Specifications

			note	
700 Band	MHz	Min		698 - 806
Insertion Loss (698 - 793 MHz)	dB	Max		0.25
Insertion Loss (793 - 806 MHz)	dB	Max		0.5
Return Loss	dB	Typ		24
Return Loss	dB	Min		20
Isolation 824 - 894 MHz	dB	Min		50
Group Delay	ns	Max		50
Continuous Average Power	W	Max		250
Peak Envelope Power	W	Max		5000
Intermod Products at all Ports with two +43dBm tones	dBc	Max		-155
850 Band	MHz	Min		824 - 894
Insertion Loss	dB	Max		0.25
Return Loss	dB	Typ		24
Return Loss	dB	Min		20
Isolation 698 - 793 MHz	dB	Min		50
Isolation 793 - 806 MHz	dB	Min		30
Group Delay	ns	Max		50
Continuous Average Power	W	Max		250
Peak Envelope Power	W	Max		5000
Intermod Products at all Ports with two +43dBm tones	dBc	Max		-155
High Band	MHz	Min		1695-2700
Passband	dB	Max		0.2
Insertion Loss	dB	Typ		24
Return Loss	dB	Min		20
Isolation to Band 1	dB	Min		65
Group delay band edge	nS	Max		2.2
Group delay mid band	nS	Max		1.5
Group delay variation	nS	Max		0.75
Group delay variation over any 4.5MHz	nS	Max		0.2
Error Vector Magnitude (EVM)	%	Max	1	1
Average input power	W	Max		150
Input Peak Envelope Power	W	Max		3000
Intermod Products at all Ports with two +43dBm tones	dBc	Max		-155

NOTES

1 - Averaged over worst 4.5MHz in passband

Rev: 042619

Product Specification



Electronic Specifications

700 > 7V, 850 < 7V and HI < 7V			700 connected to COM
700 < 7V, 850 > 7V and HI < 7V			850 connected to COM
700 < 7V, 850 < 7V and HI > 7V			HI connected to COM
Two or more paths > 7V			No dc connection to COM
Input voltage	Vdc	Max	35
DC Current rating Continuous, peak	A		2,4
Compatibility AISG			1.1/2.0

Environmental Specifications

Environmental rating			ETSI EN 300 019 class 4.1, RoHS
Ingress protection			IP67
Temperature range	°C		-40 to +65
Temperature range	°F		-40 to +149
Lightning protection all ports			RF port: ±5kA max (8/20us), IEC 61000-4-5
Altitude			3,000m max 10,000ft max
Mean Time Between Failures (MTBF)	Hrs	Min	>10 ⁶

Mechanical Specifications

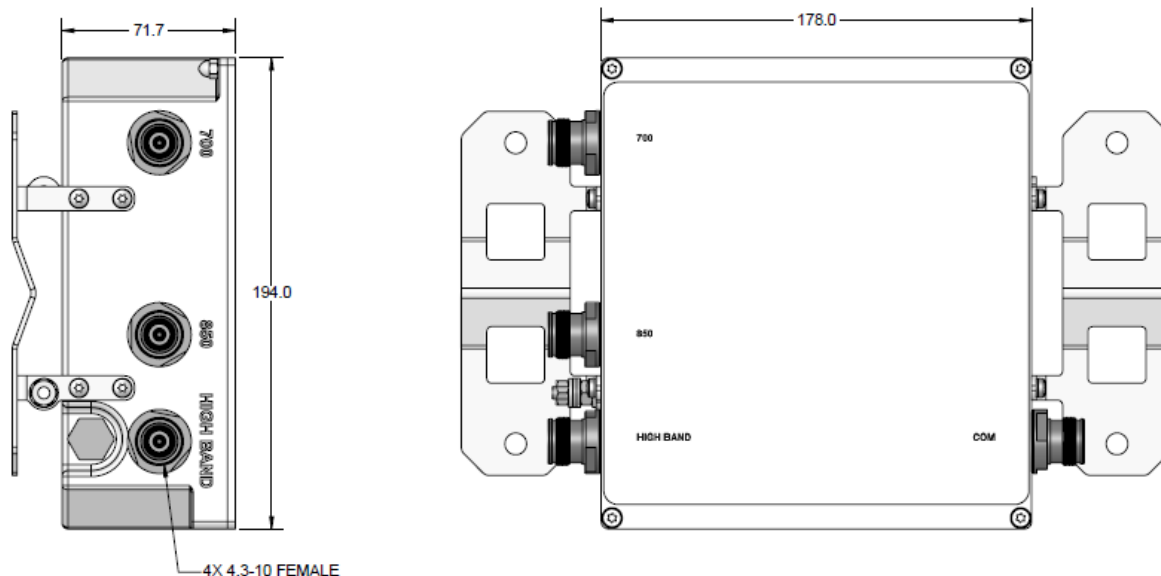
Connectors RF			4.3-10 (F)
Ground stud			M6 x 1 (hex nut included)
Connectors Quantity			4
Dimensions excluding brackets & connectors L x W x H mm			178 x 194 x 71.7
Weight, KG			
Mounting			Pole/wall bracket supplied including two metal clamps for 45-178 mm diameter poles

Rev: 042619

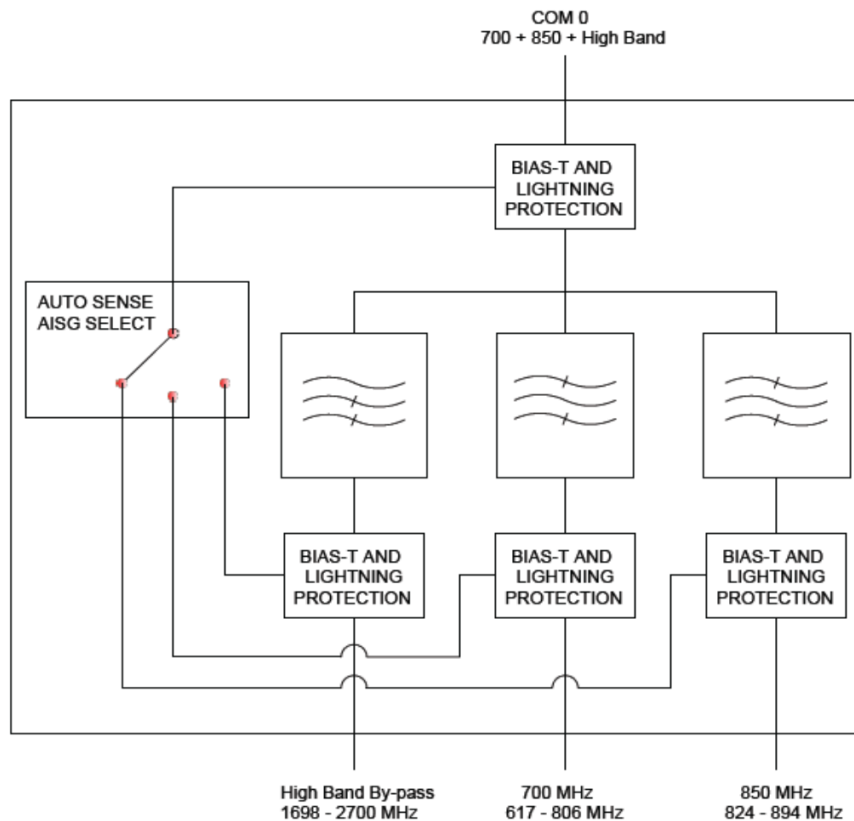


Product Specification

Mechanical Outline



Block Diagram



Rev: 042619