

Product Specification



CCDP-802-XDW-N2

Low / High Band Diplexer

- **Covers 555-960 & 1695-2700 MHz**
- **Fully Weatherized**
- **Low Loss / High Isolation**
- **DC / ASIG Auto Sense**
- **Single or Dual Units Available**

Electrical Specifications

Band 1 - LOW			
Passband	MHz	Min	555-896
Insertion Loss	dB	Max	0.2
Return Loss	dB	Min	22
Isolation to Band 2	dB	Min	60
Average input power	W	Max	250
Input Peak Envelope Power	W	Max	3000
Band 2 - HIGH			
Passband	MHz	Min	1695-2700
Insertion Loss	dB	Max	0.25
Return Loss	dB	Min	22 (18 above 2200MHz)
Isolation to Band 1	dB	Min	65
Average input power	W	Max	250
Input Peak Envelope Power	W	Max	3000
Intermod Products at all Ports with two +43dBm tones			
	dBc	Max	-156

Environmental Specifications

Environmental rating			ETSI EN 300 019 class 4.1, RoHS
Ingress protection			IP67
Temperature range	°C		-40 to +65
Temperature range	°F		-40 to +149
Wind force @ 200 km/h (125 mph) front/side	lbf		5.8 / 2.5
Lightning protection all ports			RF port: ±10kA max (8/20us), IEC 61000-4-5
Altitude			3,000m max 10,000ft max
Mean Time Between Failures (MTBF)	Hrs	Min	>10 ⁶

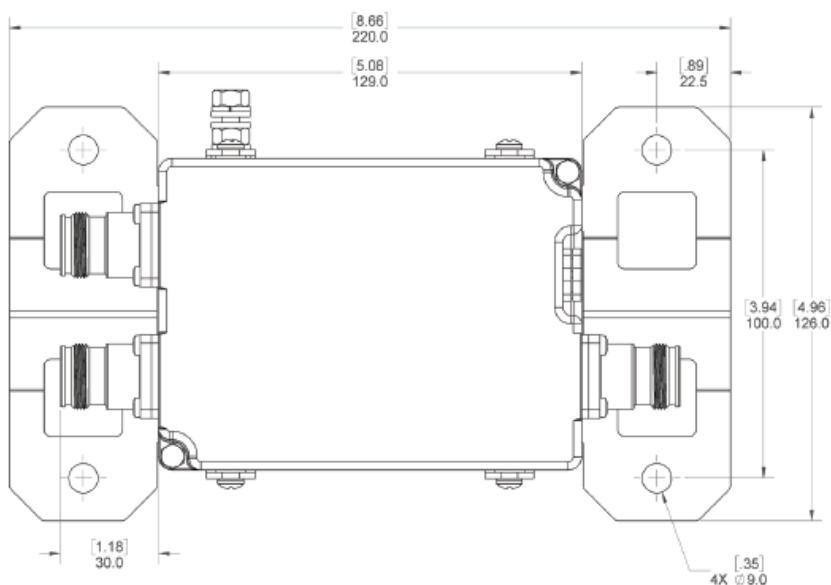
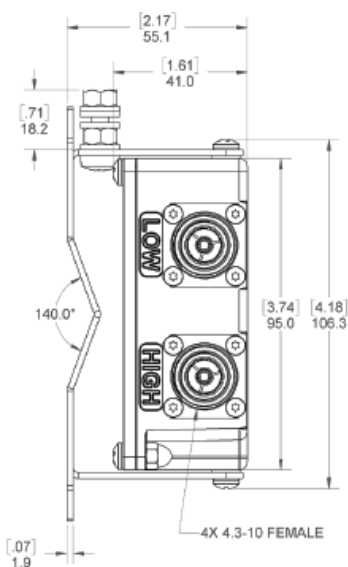
Rev: 032318



Product Specification

Electronic Specifications			
DC Sense and Routing Specifications			
Input voltage	DCV		8 to 35
DC current rating	amps	Max	1.5, current limited
Compatibility AISG			1.1 / 2.0
Combiner Function			
DC on high band or low band port			DC-AISG connected to COM
DC on both ports			DC-AISG connected from high band to COM
Splitter Function			
DC on COM detected			DC-AISG routed to port with AISG device
Port priority for multiple devices			High band

Mechanical Specifications	
Connectors RF	4.3-10 (F)
Ground stud	M6 x 1 (hex nut included)
Connectors Quantity	3
Dimensions excluding brackets & connectors L x W x H mm (in.)	129 x 95 x 41 (5.08 x 3.74 x 1.61)
Weight, KG, (lbs)	1.27 (2.8)
Mounting	Pole/wall bracket supplied including two metal clamps for 45-178 mm diameter poles



Rev: 032318